

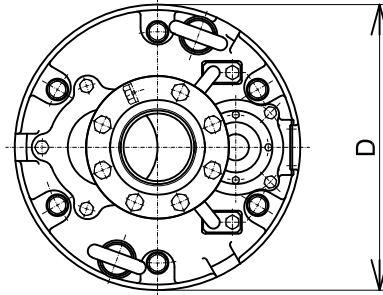


**TSURUMI PUMP**

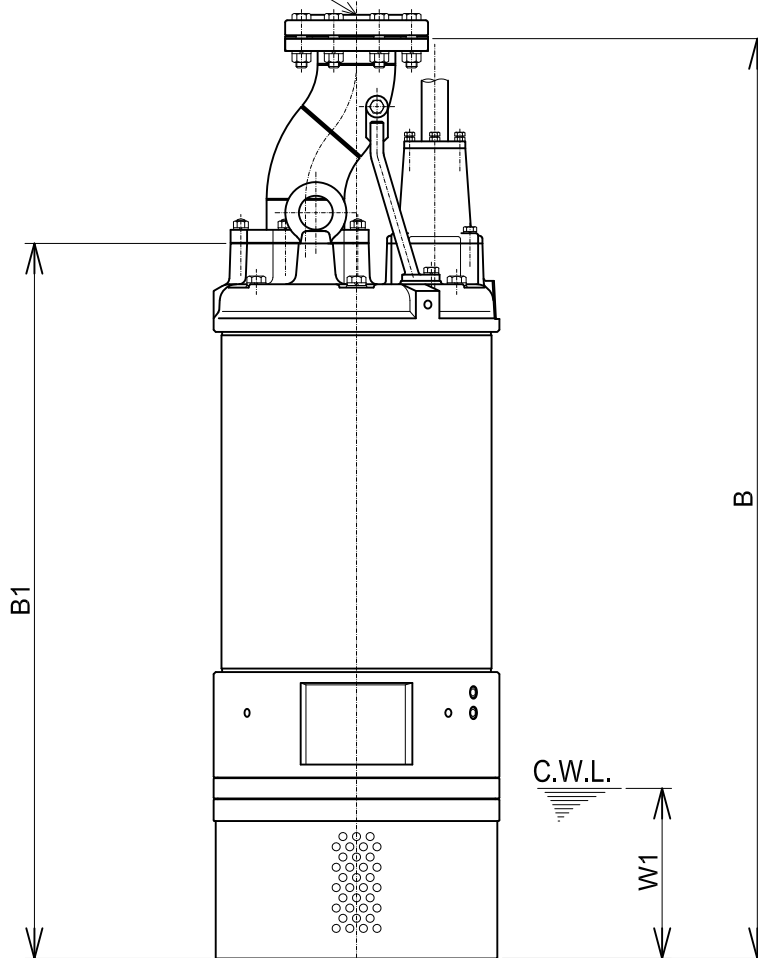
**LH SERIES (Stainless Steel)  
DEWATERING PUMPS**

**DIMENSIONS**

**LH422-14-61**



4"JIS10K(150PSI) Flange  
with  
4"NPT Companion Flange



C.W.L. :Continuous running Water Level

**DIMENSIONS:USCS (Inch)**

Model	HP	NOM. SIZE	Pump & Motor			C.W.L. W1	Wt. (lbs.)
			B	B1	D		
LH422-14-61	30	4"	53 1/4	41 3/8	16 9/16	9 7/8	815

**DIMENSIONS:METRIC (mm)**

\*Excluding Cable

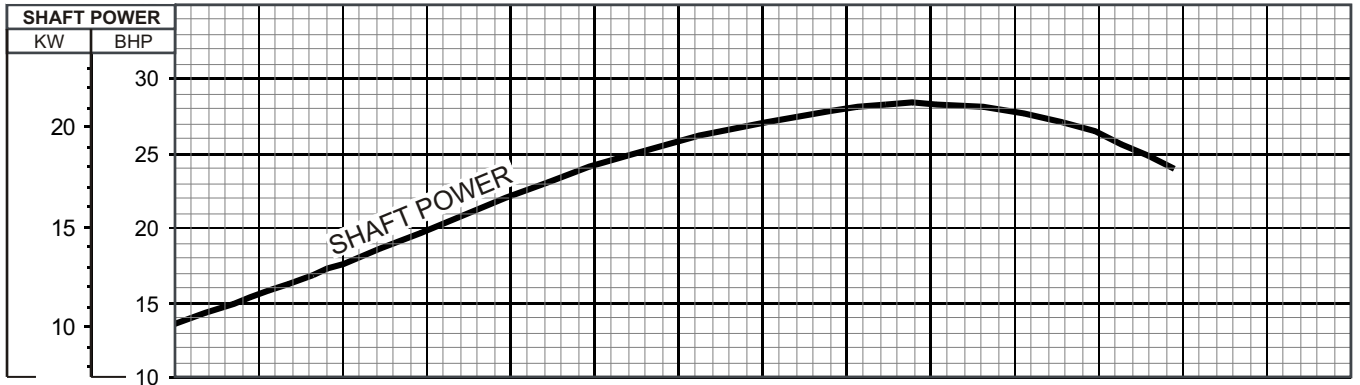
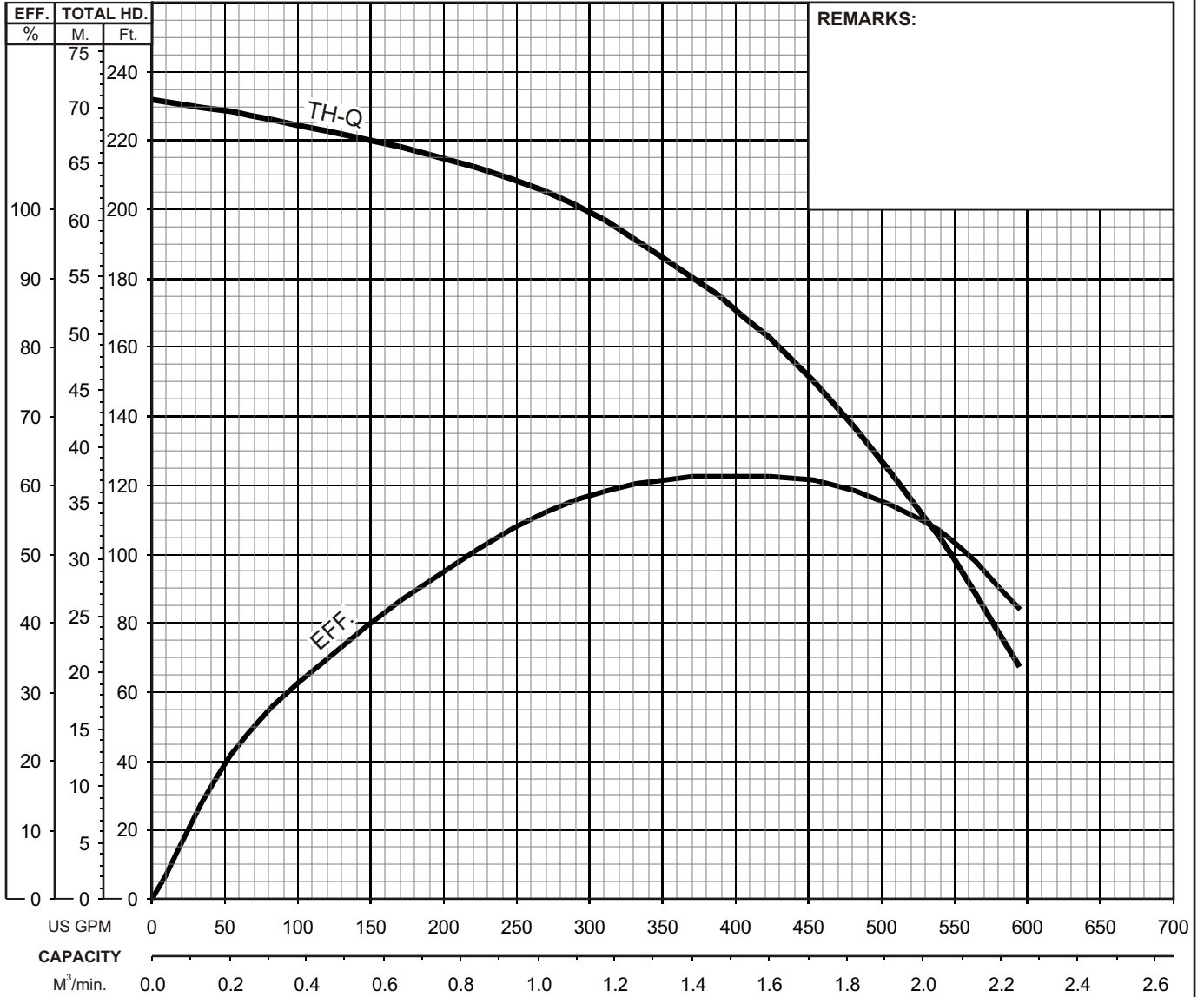
Model	kW	NOM. SIZE	Pump & Motor			C.W.L. W1	Wt. (kg)
			B	B1	D		
LH422-14-61	22	100	1352	1051	420	250	370



## LH - SERIES DEWATERING PUMPS

## PERFORMANCE CURVE

MODEL		BORE	HP	KW	RPM	SOLIDS DIA	LIQUID	SG.	VISCOSITY	TEMP.
LH422-61		4"/100mm	30	22	3490	0.236"/6mm	Water	1.0	1.123 CST	60°F
PUMP TYPE		PHASE	VOLTAGE		AMPERAGE		HZ	STARTING METHOD		INS. CLASS
Dewatering Pump		3	460/575		36.0/28.5		60	Direct On Line		B
CURVE No.	DATE	PHASE	VOLTAGE	AMPERAGE	HZ	STARTING METHOD	INS. CLASS			
-	-	-	-	-	-	-	-			



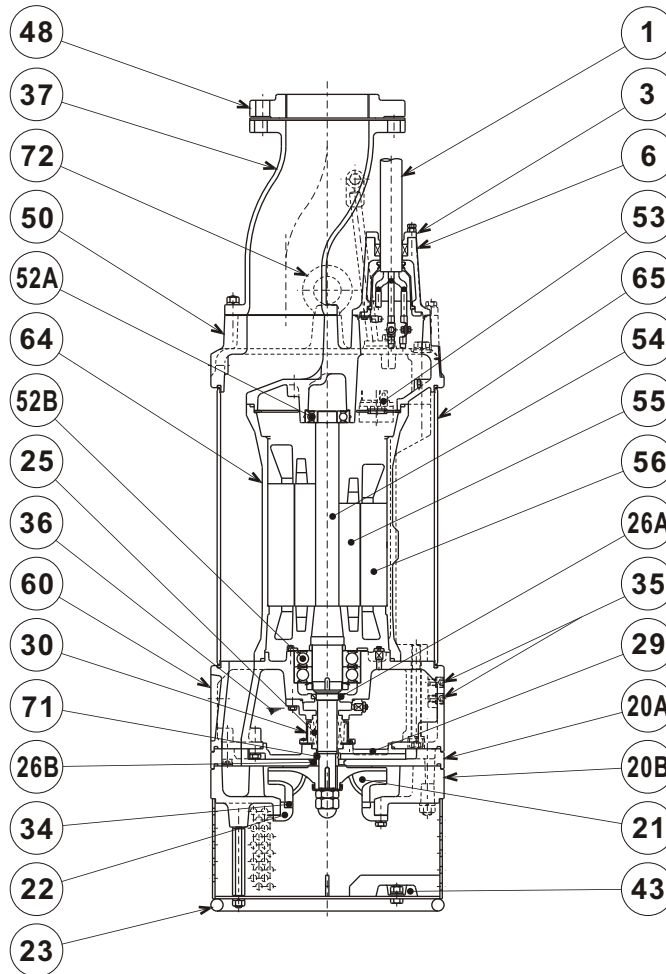


**TSURUMI PUMP**

**LH - SERIES  
DEWATERING PUMPS**

**SECTIONAL VIEW**

**LH619-61  
LH422-61  
LH622-61**



ITEM#	DESCRIPTION	MAIN MATERIAL / NOTE	ASTM, AISI CODE	RELATED EN CODE	Q'TY
1	Power Cable	Chloroprene Sheath AWG4/4-50ft			1
3	Gland	Cast Iron	A48M Class30B	EN 1561 GJL-200	1
6	Stuffing Box	Cast Iron	A48M Class30B	EN 1561 GJL-200	1
20A	Upper Pump Casing	Ductile Cast Iron	A536 65-45-12	EN 1563 GJS-450-10	1
20B	Lower Pump Casing	Ductile Cast Iron	A536 65-45-12	EN 1563 GJS-450-10	1
21	Impeller	High Chrome Cast Iron	A532 Class TypeA	DIN 1695 G-X260Cr27	1
22	Suction Cover	Cast Iron	A48M Class30B	EN 1561 GJL-200	1
23	Suction Strainer	Steel	A283 Grade D	EN 10025 S275	1
25	Mechanical Seal	Silicon Carbide / H-35T			1
26A	Oil Seal	NBR / SC-40588			1
26B	Labyrinth Ring	Stainless Steel	S 30400	1.4301	1
29	Oil Casing	Cast Iron	A48M Class30B	EN 1561 GJL-200	1
30	Oil Lifter	PBT Resin W/GF40			1
34	Mouth Ring	High Chrome Cast Iron	A532 Class TypeA	DIN 1695 G-X260Cr27	1
35	Oil Plug	Stainless Steel	S 30400	1.4301	2
36	Lubricant	Turbine Oil ISO VG32 or SAE 10W-20			
37	Discharge Pipe	Ductile Cast Iron / 4" or 6" JIS10K	A536 65-45-12	EN 1563 GJS-450-10	1
43	Cathodic Protection Plate	Aluminium Alloy			4
48	Companion Flange	Cast Iron / NPT 4" or 6" JIS10K	A48M Class30B	EN 1561 GJL-200	1
50	Motor Bracket	Cast Iron	A48M Class30B	EN 1561 GJL-200	1
52A	Upper Bearing	#6307ZZC3			1
52B	Lower Bearing	#6311ZZD2C3			1
53	Motor Protector				1
54	Shaft	Stainless Steel	S 42000	1.4028	1
55	Rotor				1
56	Stator				1
60	Bearing Housing	Cast Iron	A48M Class30B	EN 1561 GJL-200	1
64	Motor Housing	Cast Iron	A48M Class30B	EN 1561 GJL-200	1
65	Outer Cover	Steel	A283 Grade D	EN 10025 S275	1
71	Shaft Sleeve	Stainless Steel	S 40300	1.4000	1
72	Lifting Lug Bolt	Stainless Steel	S 30400	1.4301	2

PARTS LIST		HI PRESSURE DEWATERING PUMP			2/19/2021	
ITEM	PART No.	DESCRIPTION	QTY	SIZE	MATERIAL	NOTES
1	141-005-18	Hex.Nut	3	M8	SUS304	
2	010-143-10	Cable Clip	2	No.5	SPC	
3	140-054-19	Hex.Bolt	3	M8x20	SUS304	
4	001-007-72	Cabtyre Cable Set(50') 460-575V-60Hz (USA)	1	2PNCTF4CX22mm2	(V/m)	
5	011-110-11	Shackle	1	6mm(M8_SC)	SS	
6	095-132-19	Chain	1	4mm(6L)	SS	
7	072-103-23	Eye Bolt	2	M24	SUS304	
8	140-056-53	Hex.Bolt	4	M8x30	SUS304	included in ITEM #4 Cable Set
9	141-005-18	Hex.Nut	4	M8	SUS304	included in ITEM #4 Cable Set
10	003-000-15	Gland	1	KRS-819/822	FC	included in ITEM #4 Cable Set
11	004-134-19	Cable Bush	1	d33xd58.5x24l	NBR	included in ITEM #4 Cable Set
12	005-123-18	Bush Washer	1	d35xd57x3.2t	SPC	included in ITEM #4 Cable Set
13	140-076-17	Hex.Bolt	4	M10x30	SUS304	
14	142-164-19	Spring Washer	4	M10	SUS304	
15	006-119-27	Stuffing Box	1	No.7	FC	included in ITEM #4 Cable Set
16	122-135-19	O-Ring	1	G-120(119.4xd3.1)	NBR	*
17	008-132-19	Mould Cover	1	KRS-819/822(L)	NBR	included in ITEM #4 Cable Set
18	003-149-14	Gland (Lower)	1	No.5	FC	included in ITEM #4 Cable Set
19	140-033-12	Hex.Bolt	4	M6x16	SUS304	
20	141-004-59	Hex.Nut	3	M6	SWRM	
21	009-168-17	Terminal	3	R-22-S6	CU	included in ITEM #4 Cable Assembly
22	009-168-17	Terminal	6	R-22-S6	CU	
23	140-029-28	Hex.Bolt	3	M6x10	SWRM	
24	002-115-18	Heat Shrink Tube (Sold per meter)	m	EVA(d16.5x1t)	(V/m)	
25	002-116-19	Heat Shrink Tube (Sold per meter)	m	A4(d20x0.35t)	(V/m)	
26	143-041-12	Pan Screw	1	M6x8	SWRM	
27	142-126-48	Plain Washer	1	M6	C3604	
28	009-107-18	Terminal	3	R-14-6	CU	included in ITEM #4 Cable Assembly
29	037-429-16	Center-Flange Discharge Pipe	1	LH422/430-51/61	FCD	
30	141-007-10	Hex.Nut	5	M12	SUS304	
31	142-165-10	Spring Washer	5	M12	SUS304	
32	121-374-19	Packing	1	d140xd172x1t	THREE SHEET	*
33	144-000-46	Stud Bolt	5	M12x64(24/27)	SUS304	
34	140-098-15	Hex.Bolt	2	M12x35	SUS304	
35	142-165-10	Spring Washer	2	M12	SUS304	
36	127-287-12	Stay 2	1	LH422/430-51/61For (Left)	SS	
37	127-286-11	Stay 1	1	LH422/430-51/61For (Right)	SS	
38	140-097-14	Hex.Bolt	2	M12x30	SUS304	

PARTS LIST		HI PRESSURE DEWATERING PUMP			2/19/2021	
ITEM	PART No.	DESCRIPTION	QTY	SIZE	MATERIAL	NOTES
39	142-165-10	Spring Washer	2	M12	SUS304	
40	140-138-18	Hex.Bolt	6	M16x130	SUS304	
41	142-166-11	Spring Washer	6	M16	SUS304	
42	142-353-17	Seal Washer	6	SM-16	SUS+NBR	*
43	050-495-14	Motor Bracket	1		FC	
44	144-584-15	Hex. Socket Cap Screw	4	M12x16	SUS304	
45	122-157-17	O-Ring	1	G-260(259.3xd5.7)	NBR	*
46	121-593-16	Packing	1	LH619/422/430(L)	NBR	*
47	143-032-10	Pan Screw	2	M5x16	SWRM	
48	053-000-58	Motor Protector 460V-60Hz	1	KA316-NSTL00	(B.C)	
48	053-000-57	Motor Protector 575V-60Hz	1	KA316-NEZL00	(B.C)	
49	058-203-17	Lead Wire Protection Plate	1	d108xd269x3.2t	SPHC	
50	122-127-18	O-Ring	1	G-80(79.4xd3.1)	NBR	*
51	142-199-13	Wave Washer	1	6208/6307	SK5	
52	052-110-18	Bearing	1	6307ZC3		
53	065-387-18	Outer Cover	1		SS	
54	121-593-16	Packing	1	LH619/422/430(L)	NBR	*
55		Stator 460V-60Hz	1Set			
55		Stator 575V-60Hz	1Set			
56	064-572-19	Motor Frame	1		FC	
57	122-259-10	O-Ring	1	12xd3	NBR	*
58	144-490-13	Stator Set Bolt	1	M12(B=21)	SUS403	
59	122-153-13	O-Ring	1	G-220(219.3xd5.7)	NBR	*
60	055-887-12	Rotor	1Set			
61	147-064-13	Impeller Key	1	7x7x37.5l	SUS420	
62	140-033-25	Hex.Bolt	3	M6x16	SWRM	
63	062-177-14	Bearing Fixing Plate	1		SS	
64	052-142-19	Bearing	1Set	6311ZZD2C3		
65	142-244-14	Bearing Washer	1	AW11	SPCC	
66	141-076-10	Bearing Nut	1	AN11	SS	
67	026-271-17	Oil Seal	1	SC-40588	NBR	
68	140-016-19	Hex.Bolt	2	M5x12	SUS304	
69	003-219-16	Gland	1		SPHC	
70	032-423-15	Bush	1	d9.5x18.5L	NBR	
71	121-247-12	Packing	2	d12.3xd18x2t	PE	*
72	035-113-18	Oil Plug	2	M12x14	SUS304	
73	144-584-15	Hex. Socket Cap Screw	4	M12x16	SUS304	
74	060-491-11	Bearing Housing	1		FC	

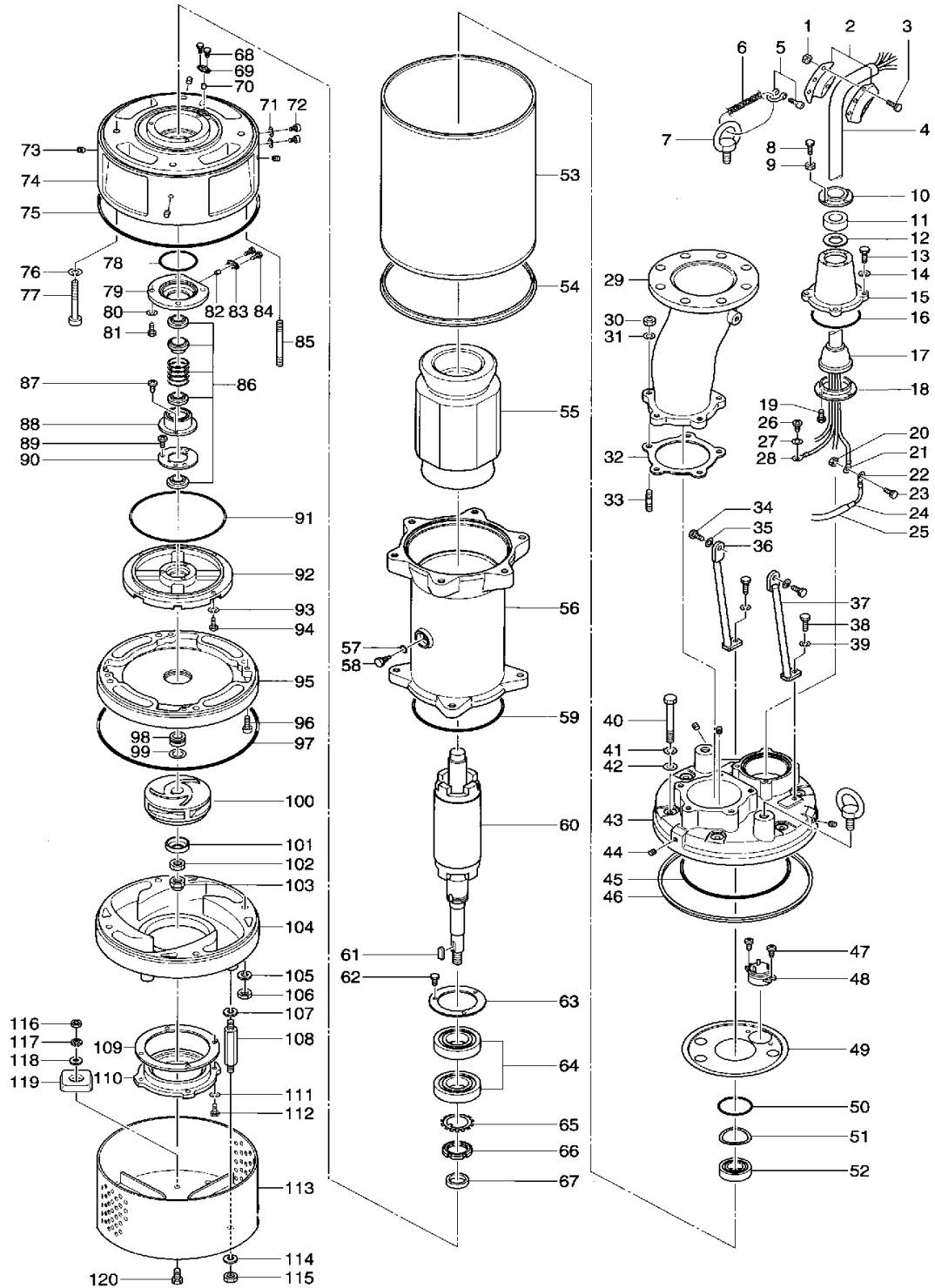
PARTS LIST		HI PRESSURE DEWATERING PUMP			2/19/2021	
ITEM	PART No.	DESCRIPTION	QTY	SIZE	MATERIAL	NOTES
75	122-258-19	O-Ring	1	395xd5	NBR	*
76	142-166-11	Spring Washer	4	M16	SUS304	
77	140-518-16	Hex.Socket Cap Bolt	4	M16x170	SUS304	
78	122-129-10	O-Ring	1	G-90(89.4xd3.1)	NBR	*
79	028-170-11	Seal Housing	1	LH619/422/622/430-51/61	FC	
80	142-163-18	Spring Washer	4	M8	SUS304	
81	140-055-10	Hex.Bolt	4	M8x25	SUS304	
82	032-423-15	Bush	1	d9.5x18.5L	NBR	
83	003-219-16	Gland	1		SPHC	
84	140-016-19	Hex.Bolt	2	M5x12	SUS304	
85	144-444-25	Stud Bolt	4	M16x100(38/24)(JIS)	SUS304	
86	025-257-14	Mechanical Seal	1	H-35T	SiC	
87	143-070-23	Pan Screw	2	M5x6	SWRM	
88	030-156-18	Oil Lifter	1	H-35(A)(T)	Resin	
89	143-070-10	Pan Screw	3	M5x6	SWRM	
90	030-150-12	Seal Stopper	1	H-35(A)(T)	SPCC	
91	122-250-11	O-Ring	1	230xd3.8	NBR	*
92	029-398-10	Oil Casing	1	LH619/422/622/430-51/61	FC	
93	142-164-19	Spring Washer	4	M10	SUS304	
94	140-076-17	Hex.Bolt	4	M10x30	SUS304	
95	020-000-33	Upper Pump Casing (w/Labyrinth Ring)	1	LH619/422/622/430-51/61	FCD	
96	140-289-15	Hex.Socket Cap Bolt	4	M10x40	SUS304	
97	122-258-19	O-Ring	1	395xd5	NBR	*
98	071-000-03	Shaft Sleeve	1	LH619/422/622/430-51/61	SUS403	
99	040-125-19	Impeller Shim		d31xd45.2x0.5t	SUS304	
100	021R1511	Impeller (50Hz)	1	LH422-51	HiCrFC	
100	021R1612	Impeller (60Hz)	1	LH422-61	HiCrFC	
101	047-106-28	Impeller Thread Protect.Cover	1	No.5(26)	SUS304	
102	141-011-20	Hex.Nut	2	M24(H=14)	SUS304	
103	141-035-17	Hex.Cap Nut	1	M24	SUS304	
104	020B7411	Pump Casing (Lower)	1	LH422/430-51/61	FCD	
105	142-166-11	Spring Washer	4	M16	SUS304	
106	141-008-11	Hex.Nut	4	M16	SUS304	
107	142-165-10	Spring Washer	4	M12	SUS304	
108	144-573-11	Stud Bolt	4	M12x164(22/22)	SUS403	
109	120-175-15	Packing (S.Cover)		LH615/422/430-51/61	PE	
110	022-000-09	Suction Cover (w/Mouth Ring)	1	LH615/422/430-51/61	FC	
111	142-164-19	Spring Washer	4	M10	SUS304	

PARTS LIST		HI PRESSURE DEWATERING PUMP			2/19/2021	
ITEM	PART No.	DESCRIPTION	QTY	SIZE	MATERIAL	NOTES
112	140-075-16	Hex.Bolt	4	M10x25	SUS304	
113	023-001-29	Strainer Stand	1	LH422/430-51/61	SS	
114	142-165-10	Spring Washer	4	M12	SUS304	
115	141-007-10	Hex.Nut	4	M12	SUS304	
116	141-007-10	Hex.Nut	4	M12	SUS304	
117	142-165-10	Spring Washer	4	M12	SUS304	
118	142-129-12	Plain Washer	4	M12	SUS304	
119	043-102-19	Cathodic Protection Plate	4	AB-1HS(75x70x20t)	Al	
120	140-096-13	Hex.Bolt	4	M12x25	SUS304	
	173-000-21	<b>Packing O-Ring Set</b>	1Set	(Marked by *)		
16	122-135-19	O-Ring (S.Box)	1	G-120(119.4xd3.1)	NBR	*
32	121-374-19	Packing (Discharge Pipe)	1	d140xd172x1t	THREE SHEET	*
42	142-353-17	Seal Washer (Motor Bracket bolt)	6	SM-16	SUS+NBR	*
45	122-157-17	O-Ring (M.Bracket/M.Frame)	1	G-260(259.3xd5.7)	NBR	*
46	121-593-16	Packing (M.Bracket/Out.Cover)	1	LH619/422/430(L)	NBR	*
50	122-127-18	O-Ring (Upp. Bearing)	1	G-80(79.4xd3.1)	NBR	*
54	121-593-16	Packing (Out.Cover/Brg.Housing)	1	LH619/422/430(L)	NBR	*
57	122-259-10	O-Ring (Stator Set Bolt)	1	12xd3	NBR	*
59	122-153-13	O-Ring (M.Frame/Brg.Housing)	1	G-220(219.3xd5.7)	NBR	*
71	121-247-12	Packing (Oil Plug)	2	d12.3xd18x2t	PE	*
75	122-258-19	O-Ring (M.Frame/Brg.Housing)	1	395xd5	NBR	*
78	122-129-10	O-Ring (Brg.Housing/Seal Housing)	1	G-90(89.4xd3.1)	NBR	*
91	122-250-11	O-Ring (Brg.Housing/O.Casing)	1	230xd3.8	NBR	*
97	122-258-19	O-Ring (Upp./Low. P.Casing)	1	395xd5	NBR	*
		<b>NPT Flange Version</b>				
	048-139-10	Screwed Flange	1	NPT-4(JIS10K)	FC	
	121-106-34	Packing	1	JIS10Kx100mm	NR	
	140-130-10	Hex.Bolt	8	M16x70	SUS304	
	141-008-11	Hex.Nut	8	M16	SUS304	
	142-166-11	Spring Washer	8	M16	SUS304	
		Lubricant		Turbine Oil VG32 6,900ml		

PARTS LIST		HI PRESSURE DEWATERING PUMP			2/19/2021	
ITEM	PART No.	DESCRIPTION	QTY	SIZE	MATERIAL	NOTES

## EXPLODED VIEW

LH422-51/61



C-00454-1